



# High Speed Outdoor Auto Tracking Dome

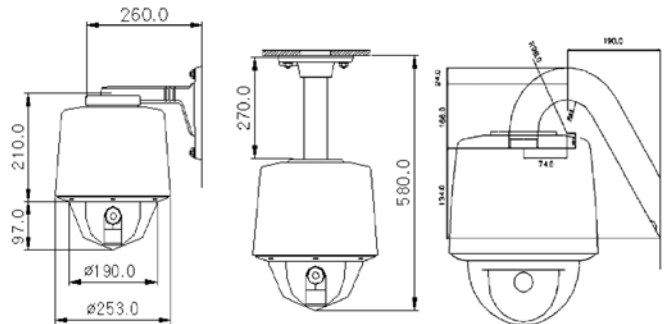
## IV-DO-2621N

### Features:

- . 0.024° dome system accuracy with 1/8 micro step
- . World Most Silent Camera
- . Controlling Pan/Tilt Speed while zooming
- . Power misconnection protection function on RS-485 terminal
- . 1/4" Sony Exview CCD (18X, 26X and 36X)
- . Filter Changeable Type Day& Night
- . 24 Privacy masking zones (18x, 26x, and 36X), 4 (23X, 30X )
- . 360° Quick Endless Rotation
- . Built-in power-line surge protection and lightning protection
- . Auto Flip Function
- . Digital Slow Shutter
- . 165 presets
- . 8 Groups (Each one consisting of up to 60 steps)
- . Various brackets available  
(Ceiling, Embedded, Pipe, Goose neck, Corner)
- . OSD for camera control
- . Max 300°/sec Pan & 250°/sec Tilt speed (on preset mode)
- . Built-in 4 alarm input and 2 relay output
- . Communication Protocol System :RS-485
- . International Standards : CE, FCC, IP66



### Dimension:



### Accessories:



IV-104  
Wall  
Mount  
Bracket



IV-105  
Pipe  
Mount



IV-106  
Goose  
Neck



IV-107  
Corner  
Mount



IV-109  
Pole  
Mount

Specification			IV-DO-2621N
PAN /TILT	Pan Rotation Angle		360° Endless
	Pan Speed	Manual	0.5° ~ 100 or 200°/sec (64step)
		Preset	Max 300° /sec , Min 10° /sec
	Tilt Rotation Angle		-2° ~ 90°
	Tilt Speed	Manual	0.5° ~ 45°/sec (64step)
		Preset	Max 250° /sec , Min 200° /sec
System Accuracy		0.024°	
FUNCTIONS	Presets		165 positions with 16 character labels available for each position with different speed steps
	Group Tour		Max. 8 Programmable group tours (each consisting of up to 60 preset steps with different steps)
	Auto pan		Programmable Auto Scan
	Pattern		8 Programmable Patterns (total 480 seconds)
	Sector		8 Selectable Sectors with 16 characters
	Password Protection		Yes
	Privacy Zone		24
	Alarm Input		4 alarms (with various programmable states)
	Alarm Actions		Activate preset, Group scanning or Pattern per alarm input
	Aux Output		2 Replay Output
	Auto Flip		ON / OFF
	OSD Menu		Yes
	Communication		RS-485
	Protocol		Built in Pelco-D, Pelco-P
POWER	Power Consumption		36W Max
	Power Supply		18~32VAC 60/50Hz 1.5A
OTHERS	Construction		Aluminium body, Anti-vandal bubble (Poly Carbonate)
	Dimensions		190φ (D) * 307mm(H)
	Weight		5.7 kg
	Motor Type		Stepping motor
	Micro Steps		1/8 Micro Step
	Storage Temperature		-20°C ~ 60°C (-4°F ~140°F)
	Operating Temperature		-10°C ~ 50°C (14°F ~122°F), -40°C ~ 50°C with optional heater
	Certifications		CE, FCC, IP66
CAMERA MODULE	Image Sensor		1/4" Sony Exview HAD CCD
	Total Image Pixels	NTSC	811(H) * 508(V) 410K
		PAL	795(H) * 596(V) 470K
	Number Of Effective Pixels	NTSC	768(H) * 494(V) 380K
		PAL	752(H) * 582(V) 440K
	Horizontal resolution		More Than 480TV Lines
	Lens	Optical	26x Optical Zoom (F1.6~3.8, f=3.5~91.0mm)
		Digital	12x (312x with optical)
	Day & Night (ICR)		Auto/ Day/ Night
	Min.Shooting Distance		0.32m(Wide)/1.5m(Tele)
	Digital Slow Shutter		ON/ OFF
	Min. illumination	Normal	1.0Lux (50IRE)
		Night	0.01Lux (ICR On)
	Luminance S/N Ratio		More than 50dB
	Video Output		Composite video output 75 ohm terminated
BLC		ON / OFF	
Flickerless	NTSC	ON / OFF	