

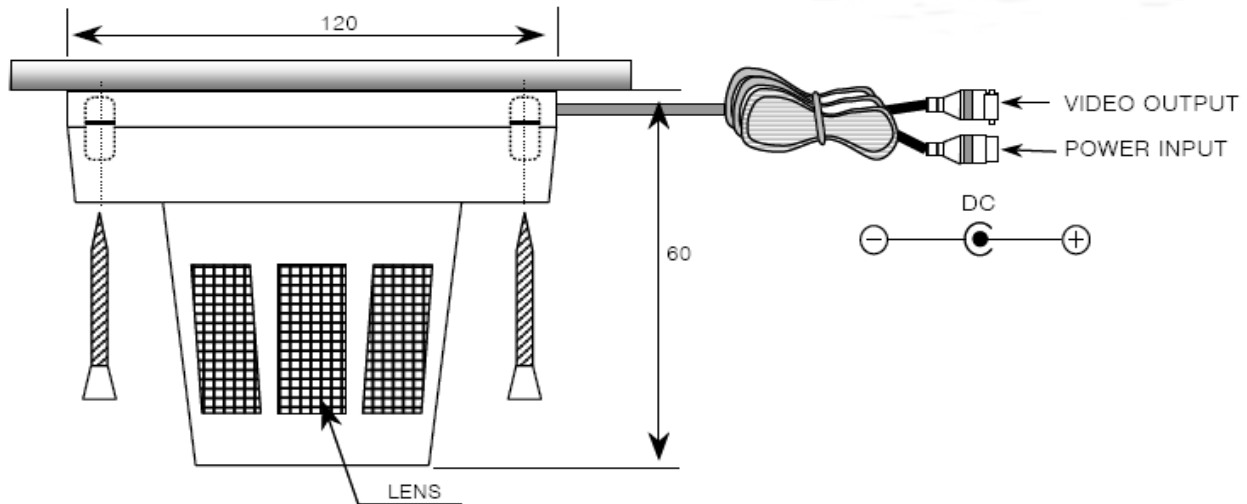


Hidden Camera (Sharp Full Chip Set)

IV-WM-301HC

Features:

- . 1/4" CCD - color - indoor - DC 12V
- . 380 TV Lines - 120mm x 60mm
- . 1.0LUX - 3.6mm lens



| SPECIFICATION | IV-WM-301HC |
|-----------------------|--------------------------------|
| Image Device | 1/4" Interline CCD |
| Number of Pixels | (H) 512 X (V) 492 |
| Scanning System | 525 Lines, 60 Field/Sec |
| Sync System | Internal Synchronization |
| Horizontal Resolution | 380 TV Line |
| Video output | 1Vp-p 75Ω |
| S/N Ratio | More Than 48dB (AGC OFF) |
| Gamma Characteristic | 0.45 |
| B.L.C | Back Light Compensation (Auto) |
| White Balance | Auto White Balance (AWB) |
| Minimum Illumination | 1 Lux (F : 2.0) |
| Electronic Shutter | 1/60 ~ 1/100,000 Sec |
| Built-in Lens | f : 3.6 (Option) |
| Power Consumption | 12V ±10% DC, 100mA |
| Operation Temperature | -10 ~ + 50 °C, RH95% Max |
| Storage Temperature | -20 ~ + 60 °C, RH95% Max |
| Weight | Approx 130g |
| Housing | ABS |
| Accessories | Screw 2 pcs |
| Dimension | 120Φ x 60 mm |
| Cable | Standard 1m BNC/DC Jack |