

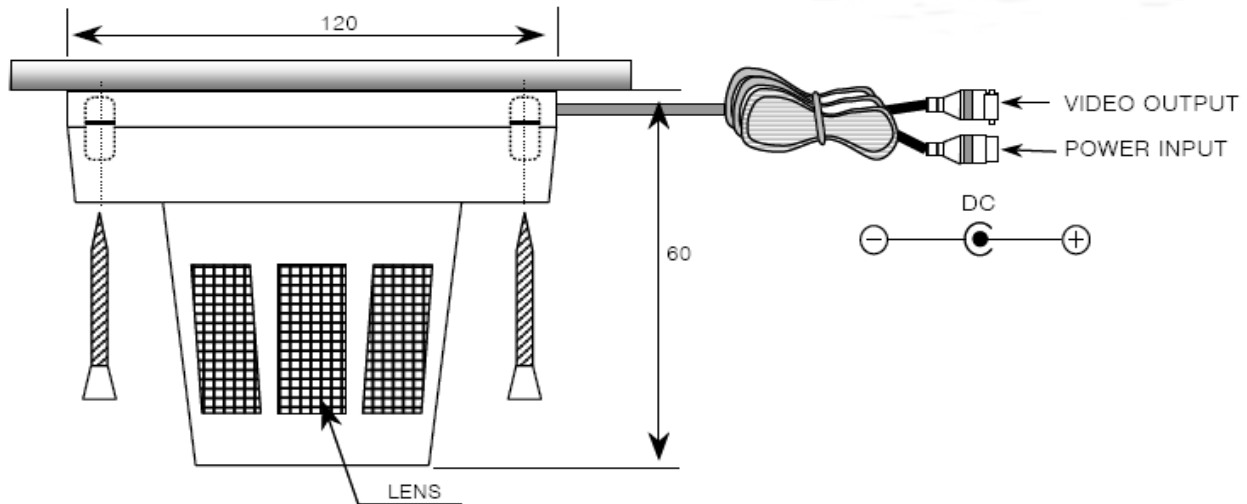


Hidden Camera (Sharp Full Chip Set)

IV-WM-310HD

Features:

- . 1/3" CCD - B/W - indoor - DC 12V
- . 380 TV Lines - 120mm x 60mm
- . 0.1LUX - 3.6mm lens



| SPECIFICATION | IV-WM-310HD (EIA) | IV-WM-312HC (CCIR) |
|-----------------------|--------------------------------|-------------------------|
| Image Device | 1/3" Interline CCD | |
| Number of Pixels | (H) 512 X (V) 492 | (H) 512 X (V) 582 |
| Scanning System | 525 Lines, 60 Field/Sec | 625 Lines, 50 Field/Sec |
| Sync System | Internal Synchronization | |
| Horizontal Resolution | 380 TV Line | |
| Video output | 1Vp-p 75Ω | |
| S/N Ratio | More Than 48dB (AGC OFF) | |
| Gamma Characteristic | 0.45 | |
| B.L.C | Back Light Compensation (Auto) | |
| White Balance | Auto White Balance (AWB) | |
| Minimum Illumination | 0.1 Lux (F : 2.0) | |
| Electronic Shutter | 1/60 ~ 1/100,000 Sec | 1/50 ~ 1/100,000 Sec |
| Built-in Lens | f : 3.6 (Option) | |
| Power Consumption | 12V ±10% DC, 100mA | |
| Operation Temperature | -10°C ~ + 50°C, RH95% Max | |
| Storage Temperature | -20°C ~ + 60°C, RH95% Max | |
| Weight | Approx 130g | |
| Housing | ABS | |
| Accessories | Screw 2 pcs | |
| Dimension | 120Φ x 60 mm | |
| Cable | Standard 1m BNC/DC Jack | |

