



Vandal Intensifier Dome Camera

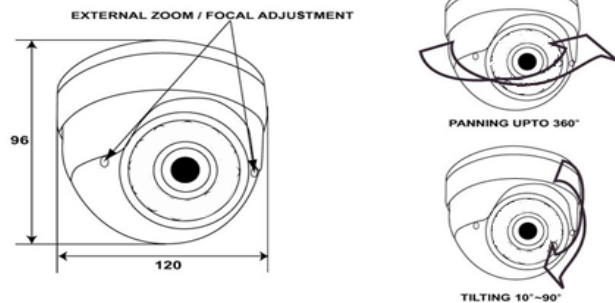
IV-DVFH6100SHOT

Features:

- . 1/3" Sony Super HAD CCD (270K / 410K)
- . Varifocal Lens / DC Auto Iris Lens 2.8 ~ 11mm
- . Vandal Resistant & Weatherproof Housing (IP66)
- . External Zoom/Focal Adjustment
- . TDN (ICR) / OSD / WDR / EXVIEW (Option)



DIMENSION



SPECIFICATION	IV-DVFH6100SHOT
Image Pick-up Device	1/3" Sony Super HAD CCD
Effective Picture Elements	510 x 492 NTSC
Horizontal Resolution	550 TV Lines
Minimum Illumination	0.1Lux / F2.0
S/N Ratio	45dB
Auto Electronic Shutter	NTSC : 1/60~1/100,000
Iris Control	Auto
Gamma Characteristic	0.45
Lens	2.8 ~ 11mm
Lens mount	VariFocal Lens / DC Auto Iris Lens (Optional)
AGC	Auto
Synchronous System	Negative sync, Internal
Video Output	1Vp-p Composite Video/75 Ohms
Power Supply	DC 12V / 60mA
Operating Temp	14 °F to 122°F (-10°C to 50°C)
Dimensions	4.7"(W) x 4"(D) / 120(W)mm x 96(D)mm
Weight	Appx. : 21.2 oz / 600 g