



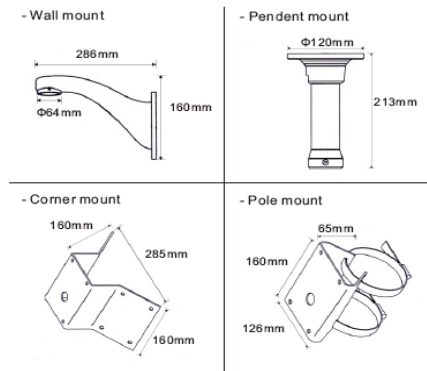
PTZ IP Dome Camera

IV-LC-18/26/36-PTZDN

Features:

- . Supports selectable MJPEG/MPEG4 video streams
- . Sony zoom module (1/4" Exview HAD CCD)
- . Optical zoom (18x, 26x, 36x) and 12x digital zoom
- . Pan range: 0~360 / Tilt range: 0~90, with 180 auto-flip
- . Built-in Web server and motion detection
- . Supports 4 alarm inputs / 1 output and 1 audio input / 1 output
- . Supports RC-5011 controller for remote monitoring
- . Free-bundle recording software

Optional accessories:



SPECIFICATION	IV-LC-18/26/36-PTZDN
Video sensor	1/4" Exview HAD CCD
Lens	18x optical zoom, f = 4.1mm (wide) to 73.8mm
Digital zoom	12x (216x with optical zoom)
Viewing angle	48.0° (wid end) to 2.8° (tele end)
Min. Illumination	0.7 Lux (typical)(F1.4, 50 IRE)
S/N ratio	More than 50dB
Electronic shuttle speed	1/1 to 1/10,000s, 22 steps
Manual speed - Pan	0.4° ~ 320°/s
Manual speed - Tilt	0.4° ~ 150°/s
Manual Preset	420°/s
Pan range	0° to 360°
Preset positions	128 preset
Video compression	MJPEG or MPEG4 selectable
Resolution	4CIF / 2CIF / CIF
Frame-rate	MJPEG: 30 (25) in all resolutions MPEG4: 30 (25) / 24 / 15, 5 fps, adjustable
Image configurations	Brightness, AWB, BLC, Sharpness, Saturation, Mirror, Flip
Motion detection	96 zones, 5 sensitivities
Support protocols	HTTP, TCP, DHCP, UPnP, ARP, DNS, DynDNS, SNTP, PPPoE, RTSP, SMTP, FTP
Security	Multiple level / Multiple users / IP address filtering.
Users	8 simultaneous user access
Update	SD card (SDHC, up to 32GB) / HTTP / FTP
Ethernet	RJ-45x1
Video output	BNC x 1
Push-in jack	alarm inputs x 4 / alarm output x 1 / alarm reset x 1 / GND x 2 / audio input x 1 / Relay out
SD card slot	x 1
Power Jack	x 1 (AC 24V / RS-485)
Video management software	Built-in Web server; Free bundle recording software
System integration	SDK: including HTTP-API / Active X control / Customized Web page tool
Alarm trigger	built-in motion detection / external alarm input / network disconnected
Alarm notification	ANNP / e-mail / FTP / SD card / alarm output
Pre-alarm	100 pictures
LED indicator	Network indicator / Power indicator
Power requirement	AC 24V (2.5A)
Temperature	14°F ~ 131 °F / -10 °C ~ 55 °C
Dimensions	9"(W) x 11"(H) / 231(W) x 280(H)mm
Approvals	FCC / CE / RoHS
Accessories	CD x 1 / Quick installation manual x 1 / Power adapter x 1
Supports	RC-5011 controller (optional)
Mount	wall / pendant / corner / pole