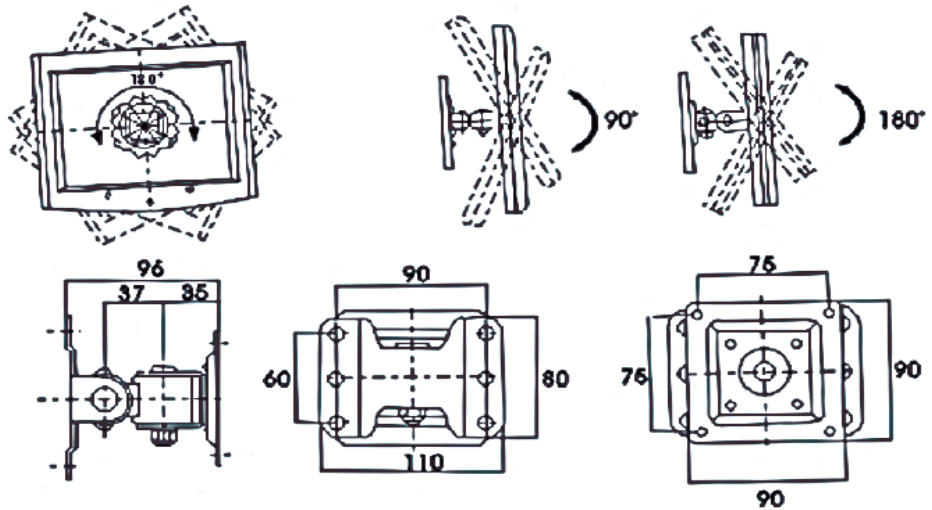




## LCD/PLASMA BRACKET

IV-LCD-BRAC-301



### Specifications

Mount your LCD with this professionally designed wall mounting bracket. This unit pivots horizontally and vertically so that you can choose exactly where you want it to face. This product is great for saving valuable surface space by mounting the LCD on the wall. This item is also easily installed.

### Description

- . Includes screws
- . Holds an LCD screen up to: 33 lbs (15 kgs)
- . For VESA mounting 3" x 3" (75 x 75mm) or 4" x 4" (100 x 100mm)
- . Rotates
  - 180 degrees horizontal
  - 90 degrees vertical
- . Material: Steel