

Network Video Recorder

IV-8CHPOENVR4K-CA



Key Features

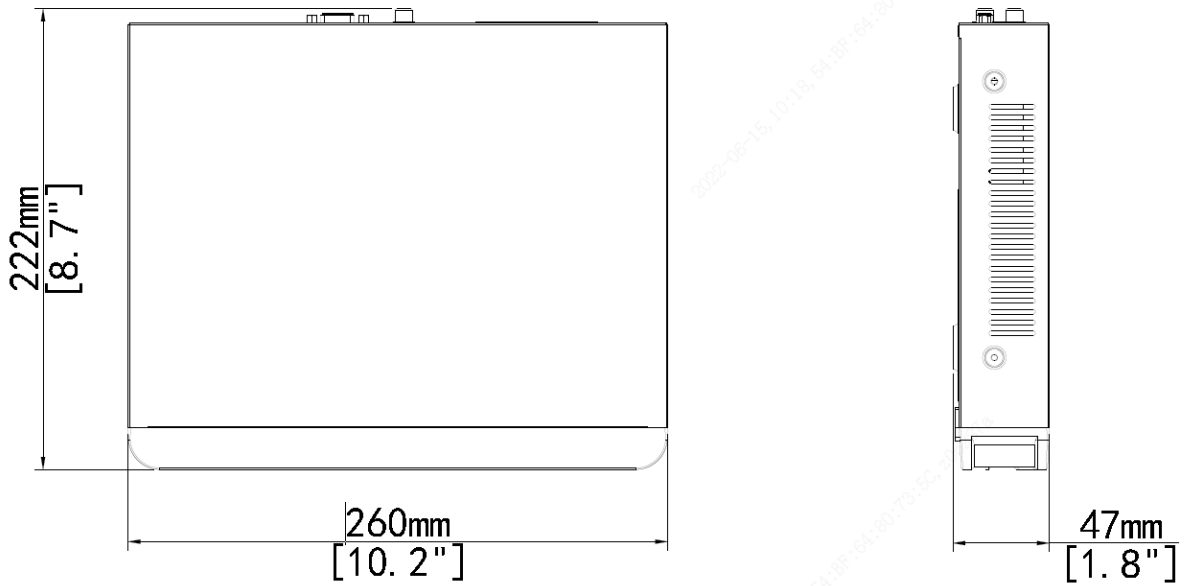
- Support Ultra 265/H.265 video formats
- 8-channel input
- Plug & Play with 8 independent PoE network interfaces
- Support mainstream cameras of ONVIF conformance(Profile S, Profile G, Profile T) and RTSP protocols
- Support HDMI and VGA simultaneous output
- Up to 8 Megapixels resolution recording
- 1 SATA HDDs, up to 8TB for each HDD
- ANR technology to enhance the storage reliability when the network is disconnected
- Support cloud upgrade

Specifications

Model	IV-8CHPOENVR4K-CA
Video/Audio Input	
IP Video Input	8-ch
Audio Input	1-ch, RCA
Network	
Incoming Bandwidth	80Mbps
Outgoing Bandwidth	64Mbps
Remote Users	128
Protocols	TCP/IP, P2P, UPnP, NTP, DHCP, PPPoE, HTTP, HTTPS, DNS, DDNS, SNMP, SMTP
Browser	IE(IE10/11) for Windows Firefox (version 52.0 and above) for Windows Chrome(version 45 and above) for Windows Edge(version 79 and above) for Windows
Video/Audio Output	
HDMI/VGA Output	HDMI: 4K (3840x2160)@30, 1920x1080p@60, 1920x1080p@50, 1600x1200@60, 1280x1024@60, 1280x720@60, 1024x768@60 VGA: 1920x1080p@60, 1920x1080p@50, 1280x1024@60, 1600x1200@60, 1280x720@60, 1024x768@60
Recording Resolution	8MP/6MP/5MP/4MP/3MP/1080p/960p/720p/D1/2CIF/CIF
Audio Output	1-ch, RCA
Two-way Audio	1-ch, RCA(Using the audio input and output)
Audio Compression	G.711A, G.711U
Synchronous Playback	8-ch
Liveview display	1/4/6/8/9
Corridor Mode Screen	3/4/5/7/9
Snapshot	
FTP/Schedule/Event Snapshot	4-ch snapshot, up to D1 resolution
Decoding	
Decoding format	Ultra 265/H.265
Live view/Playback	8MP/6MP/5MP/4MP/3MP/1080p/960p/720p/D1/2CIF/CIF
Capability	4 x 4K@30, 6 x 5MP@30, 8 x 4MP@30, 9 x 4MP@25, 10 x 3MP@30, 16 x 1080p@30
Hard Disk	
SATA	1 SATA interfaces
Capacity	Up to 8TB for each disk (The maximum HDD capacity varies with environment temperature)
Smart	
VCA Detection by Camera	Intrusion Detection, Cross Line Detection, Enter Area, Leave Area, Defocus Detection, Scene Change Detection, Object Left Behind, Object Removed, Auto Tracking, SMD(Smart Motion Detection)
VCA Search	Behavior Search, People Counting Report
People counting	People Flow Counting, Crowd Density Monitoring

Smart Intrusion Prevention (SIP), SMD by Camera	Total 4-ch
General Alarm	
General Alarm	Motion, Tampering, Human Body Detection, Video Loss, Alarm Input, Audio Detection
Alert Alarm	IP Conflict, Network Disconnected, Disk Offline , Disk Abnormal, Illegal Access, Hard Disk Space Low, Hard Disk Full, Recording/Snapshot Abnormal
External Interface	
Network Interface	1 RJ-45 10M/100M self-adaptive Ethernet Interface
USB Interface	Front panel: 1 x USB2.0, Rear panel: 1 x USB3.0
RS232	NA
RS485	NA
Alarm In	NA
Alarm Out	NA
PoE	
Interface	8 RJ-45 10M/100M self-adaptive Ethernet Interface
Max Power	Max 30W for single port Max 75W in total
Supported Standard	IEEE 802.3af/at
General	
Power Supply	52V DC/1.8A Power Consumption: ≤ 10W (without HDD)
Working Environment	-10°C~+ 55°C (+14°F~+131°F), Humidity ≤ 90% RH (non-condensing)
Dimensions (W×D×H)	260mm × 222mm × 47mm (10.2" × 8.7" × 1.8")
Weight (without HDD)	≤ 0.98Kg (2.16lb)
Certification	
Certification	CE, FCC, UL, RoHS, WEEE
CE	EN 55032: 2015, EN 61000-3-3: 2013, EN IEC 61000-3-2: 2019, EN 55035: 2017
FCC	Part15 Subpart B, ANSI C63.4

Dimensions



Rear Panel

Take IV-8CHPOENVR4K-CA for example

