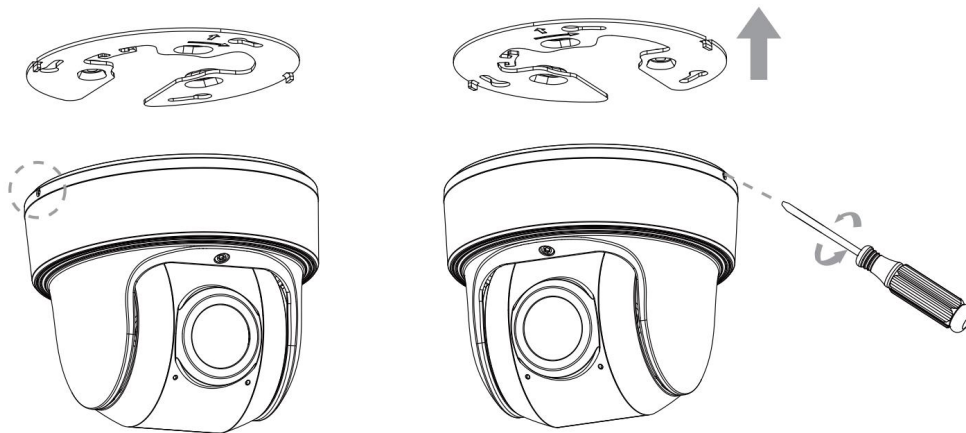


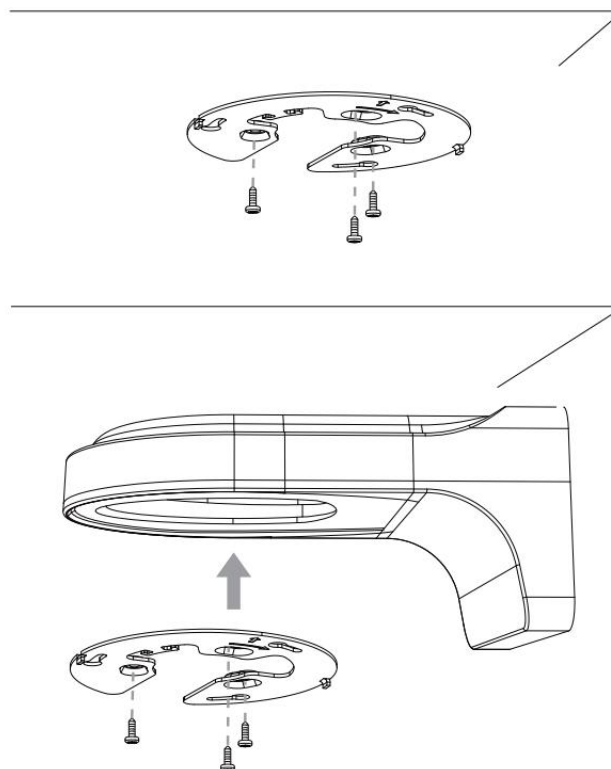
IV-8MP180DE 180° Panoramic Mini Dome Network Camera

Loosen the setscrew and take the bracket off.

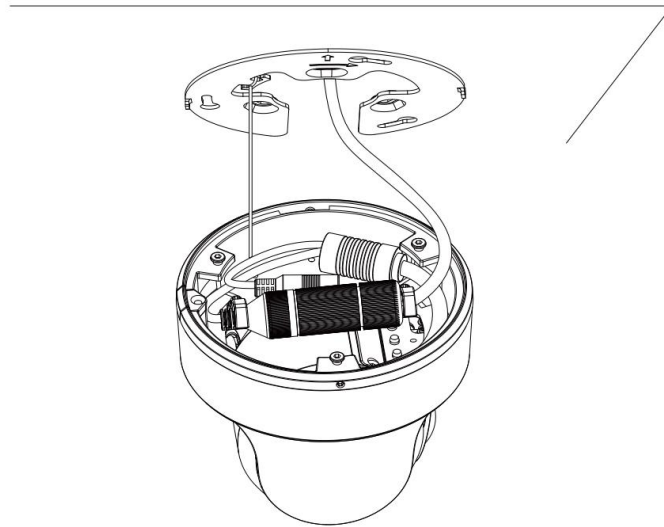


Note:

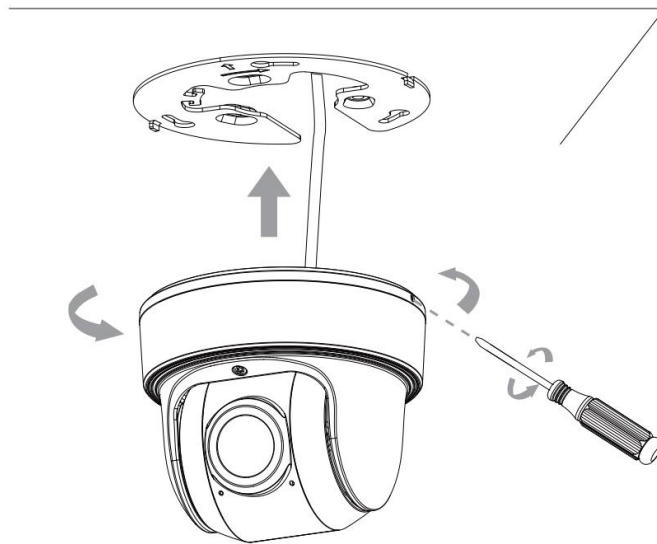
There are two setscrews on the camera that fasten the bracket. Loose either one or both setscrews until the bracket can be taken off. Only one of the setscrews needs to be screwed while fixing. **Fix the bracket on the position where the camera is intended to be installed. Wall Mount (IV-WM-A71) is available for installation.**



Step1: Buckle the lanyard on the camera body tightly to the reserved hook on the bracket. After connecting the cables to respective connectors, twine the cables around tidily in the room on the bottom;



Step2: Rotate the camera to bracket and tighten the setscrew;



Step3: Loosen clamp screw and adjust shooting direction, tighten clamp screw.

