

2MP HD IR Fixed Eyeball Network Camera

IV-DEF282MP-LT



Key Features



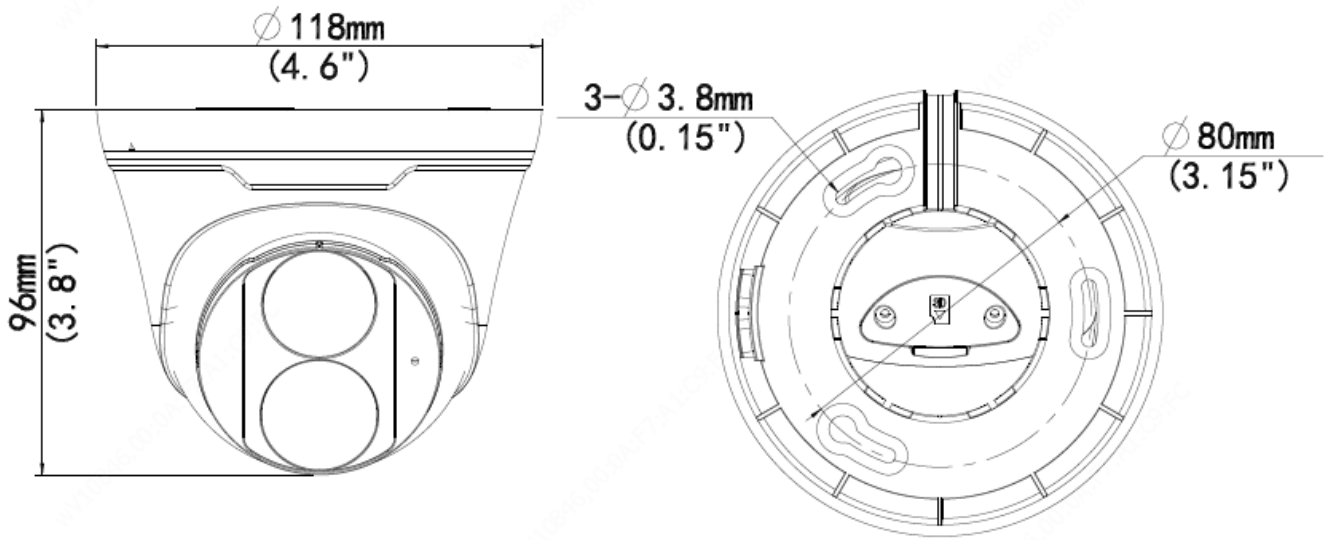
- High quality image with 2MP, 1/2.7"CMOS sensor
- 2MP (1920*1080)@30/25fps; 720P (1280*720)@30/25fps
- Ultra 265, H.265, H.264, MJPEG
- 120dB true WDR technology enables clear image in strong light scene
- Support 9:16 Corridor Mode
- Smart IR, up to 30m (98ft) IR distance
- Built-in Mic
- Supports 128 G Micro SD card
- IP67 protection
- Support PoE power supply
- 3-Axis

Specifications

IV-DEF282MP-LT											
Camera											
Sensor	1/2.7", 2.0 megapixel, progressive scan, CMOS										
Lens	2.8mm@F2.0										
DORI Distance	<table border="1"> <thead> <tr> <th>Lens (mm)</th> <th>Detect (m)</th> <th>Observe (m)</th> <th>Recognize (m)</th> <th>Identify (m)</th> </tr> </thead> <tbody> <tr> <td>2.8</td> <td>42.0</td> <td>16.8</td> <td>8.4</td> <td>4.2</td> </tr> </tbody> </table>	Lens (mm)	Detect (m)	Observe (m)	Recognize (m)	Identify (m)	2.8	42.0	16.8	8.4	4.2
	Lens (mm)	Detect (m)	Observe (m)	Recognize (m)	Identify (m)						
2.8	42.0	16.8	8.4	4.2							
Angle of View (H)	112.9°										
Angle of View (V)	59.1°										
Angle of View (O)	121.2°										
Adjustment angle	<table border="1"> <tr> <td>Pan: 0° ~ 360°</td> <td>Tilt: 0° ~ 80°</td> <td>Rotate: 0° ~ 360°</td> </tr> </table>	Pan: 0° ~ 360°	Tilt: 0° ~ 80°	Rotate: 0° ~ 360°							
Pan: 0° ~ 360°	Tilt: 0° ~ 80°	Rotate: 0° ~ 360°									
Shutter	Auto/Manual, 1 ~ 1/100000s										
Minimum Illumination	Colour: 0.01Lux (F2.0, AGC ON) 0Lux with IR										
Day/Night	IR-cut filter with auto switch (ICR)										
Digital Noise Reduction	2D/3D DNR										
S/N	>52dB										
IR Range	Up to 30m (98ft) IR range										
Wavelength	850nm										
IR On/Off Control	Auto/Manual										
Defog	Digital Defog										
WDR	120dB										
Video											
Video Compression	Ultra 265, H.265, H.264, MJPEG										
H.264 Code Profile	Baseline profile, Main profile, High profile										
Frame Rate	Main Stream: 1080P (1920*1080), Max 30fps; 720P (1280*720), Max 30fps Sub Stream: 720P (1280*720), Max 30fps; D1 (720*576), Max 30fps; 640*360,Max 30fps; 2CIF(704*288), Max 30fps; CIF(352*288), Max 30fps;										
Video Bit Rate	128 Kbps~6144 kbps										
9:16 Corridor Mode	Supported										
OSD	Up to 4 OSDs										
Privacy Mask	Up to 4 areas										
ROI	Up to 8 areas										
Motion Detection	Up to 4 areas										
Image											
White Balance	Auto/Outdoor/Fine Tune/Sodium Lamp/Locked/Auto2										
Digital NoiseReduction	2D/3D DNR										
Smart IR	Supported										
Flip	Normal/Vertical/Horizontal/180°/90°Clockwise/90°Anti-clockwise										
Dewarping	N/A										
HLC	Supported										
BLC	Supported										

Network	
Protocols	IPv4, IGMP, ICMP, ARP, TCP, UDP, DHCP, RTP, RTSP, RTCP, RTMP, DNS, DDNS, NTP, FTP, UPnP, HTTP, HTTPS, SMTP, QoS, SSL, SNMP
Compatible Integration	ONVIF (Profile S, Profile G, Profile T), API
Client	Guard Station Guard Viewer Star4Live
Web Browser	Plug-in required live view: IE9+, Chrome 41 and below, Firefox 52 and below
	Plug-in free live view: Chrome 57.0+, Firefox 58.0+, Edge 16+, Safari 11+
Audio	
Audio Compression	G.711
Suppression	Supported
Sampling Rate	8KHZ
Storage	
Edge Storage	Micro SD, up to 128GB
Network Storage	ANR,NAS(NFS)
Interface	
Network	10/100M Base-TX Ethernet
Built-in Mic	Supported
Certifications	
Certifications	CE: EN 60950-1 UL: UL60950-1 FCC: FCC Part 15
General	
Power	DC 12V±25%, PoE (IEEE 802.3af)
	Power consumption: Max 7.0W
Dimensions (Ø x H)	Φ118 x 96mm (Φ4.6" x 3.8")
Net Weight	0.30kg (0.66lb)
Material	Metal + plastic
Working Environment	-30°C ~ 60°C (-22°F ~ 140°F), Humidity: ≤95% RH (non-condensing)
Storage Environment	-30°C ~ 60°C (-22°F ~ 140°F), Humidity: ≤95% RH (non-condensing)
Surge Protection	4KV
Ingress Protection	IP67
Reset Button	N/A

Dimensions



Accessories

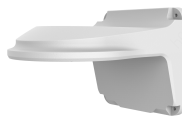
IV-JB03-I-IN



IV-JB07/WM03-G-IN



IV-WM03-D-IN



IV-UP06-IN



IV-A01-IN



IV-SE24-IN

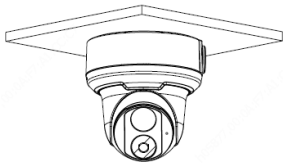
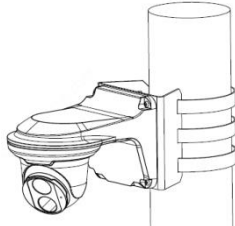


IV-SE24-A-IN



IV-CM24-IN



Junction Mount	Pole Mount
IV-JB03-I-IN	IV-JB07/WM03-G-IN(IV-WM03-D-IN)+IV-UP06-IN
	
IV-CM24-IN+IV-JB03-I-IN	
